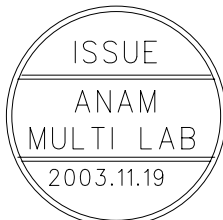
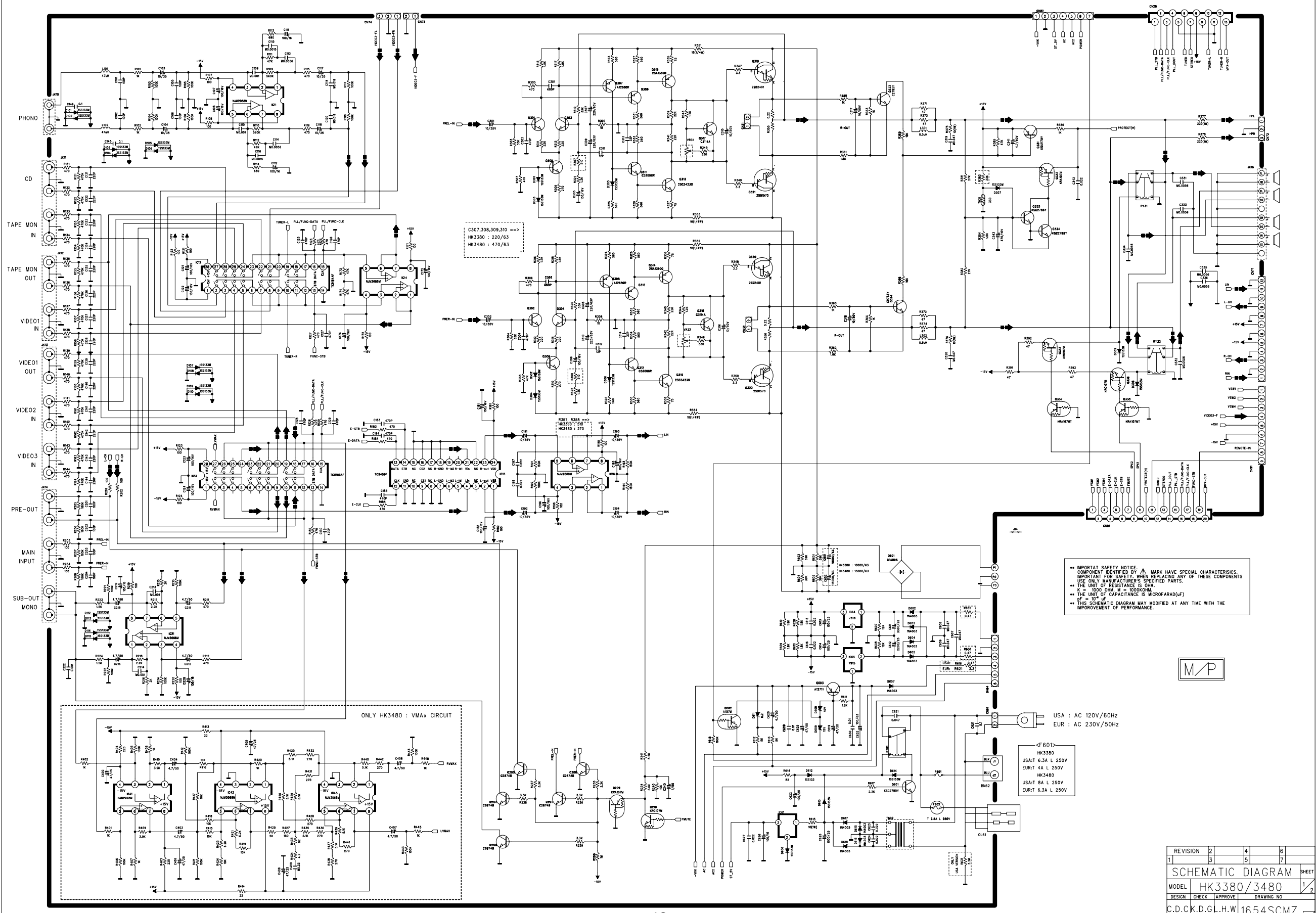


*** IMPORTANT SAFETY NOTICE**
 COMPONENTS IDENTIFIED BY MARK HAVE SPECIAL CHARACTERISTICS. IMPORTANT FOR SAFETY, WHEN REPLACING ANY OF THESE COMPONENTS USE ONLY MANUFACTURER'S SPECIFIED PART.
 * THE UNIT OF RESISTANCE IS OHM, K=1000 OHM, M=1000 KOHM
 * THE CAPACITANCE IS MICROFARAD P=PICO FARAD
 * THIS SCHEMATIC DIAGRAM MAY BE MODIFIED AT ANY TIME WITH THE IMPROVEMENT OF PERFORMANCE.
 * ALL VOLTAGE ARE MEASURED WITH GROUND.
 DC : VALUES WITH NO SIGNAL
 AC : RMS



REVISION	2	4	6	
1	3	5	7	
SCHEMATIC DIAGRAM				SHEET
MODEL	HK3380/3480			1/1
DESIGN	CHECK	APPROVE	DRAWING NO	
D.C.CHOI	D.G.KIM	H.W.LEE	1653BCMZ	
03.08.01				



C307,308,309,310 =>
 HK3380 : 220/63
 HK3480 : 470/63

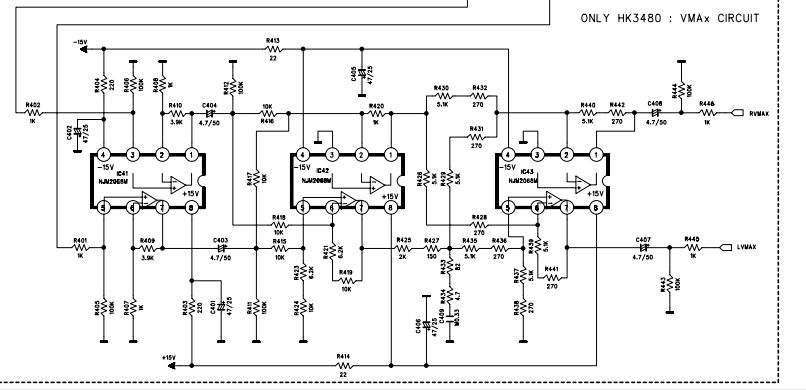
R257, R358 =>
 HK3380 : 500/
 HK3480 : 270

•• IMPORTANT SAFETY NOTICE:
 COMPONENT IDENTIFIED BY Δ MARK HAVE SPECIAL CHARACTERISTICS.
 IMPORTANT FOR SAFETY: WHEN REPLACING ANY OF THESE COMPONENTS,
 USE ONLY MANUFACTURER'S SPECIFIED PARTS.
 •• THE UNIT OF RESISTANCE IS OHM.
 •• 1000 OHM = 1K OHM.
 •• 1000 OHM = 1000 OHM.
 •• 1000 OHM = 1000 OHM.
 •• THE UNIT OF CAPACITANCE IS MICROFARAD(μ F).
 •• THIS SCHEMATIC DIAGRAM MAY MODIFIED AT ANY TIME WITH THE
 IMPROVEMENT OF PERFORMANCE.

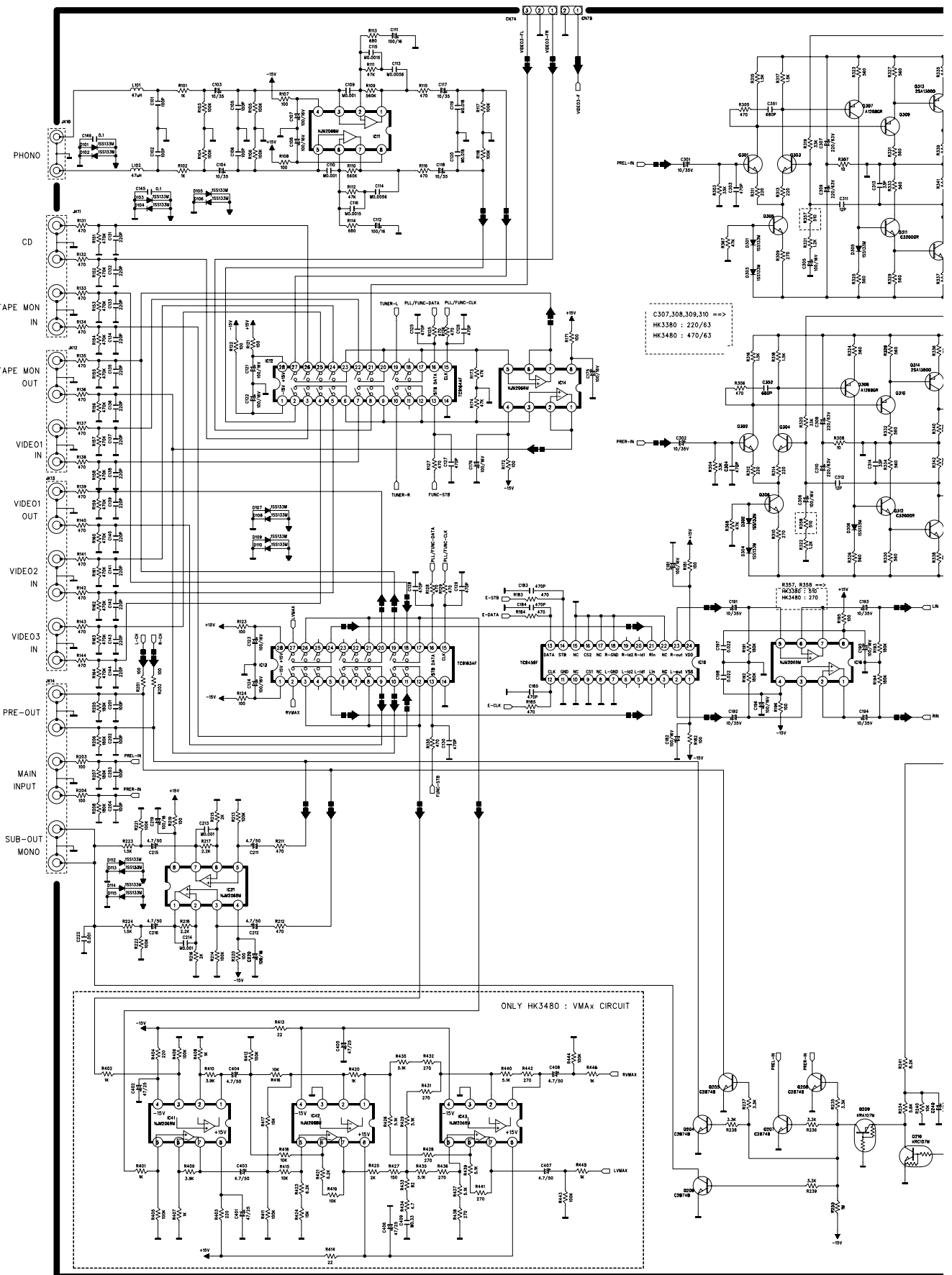


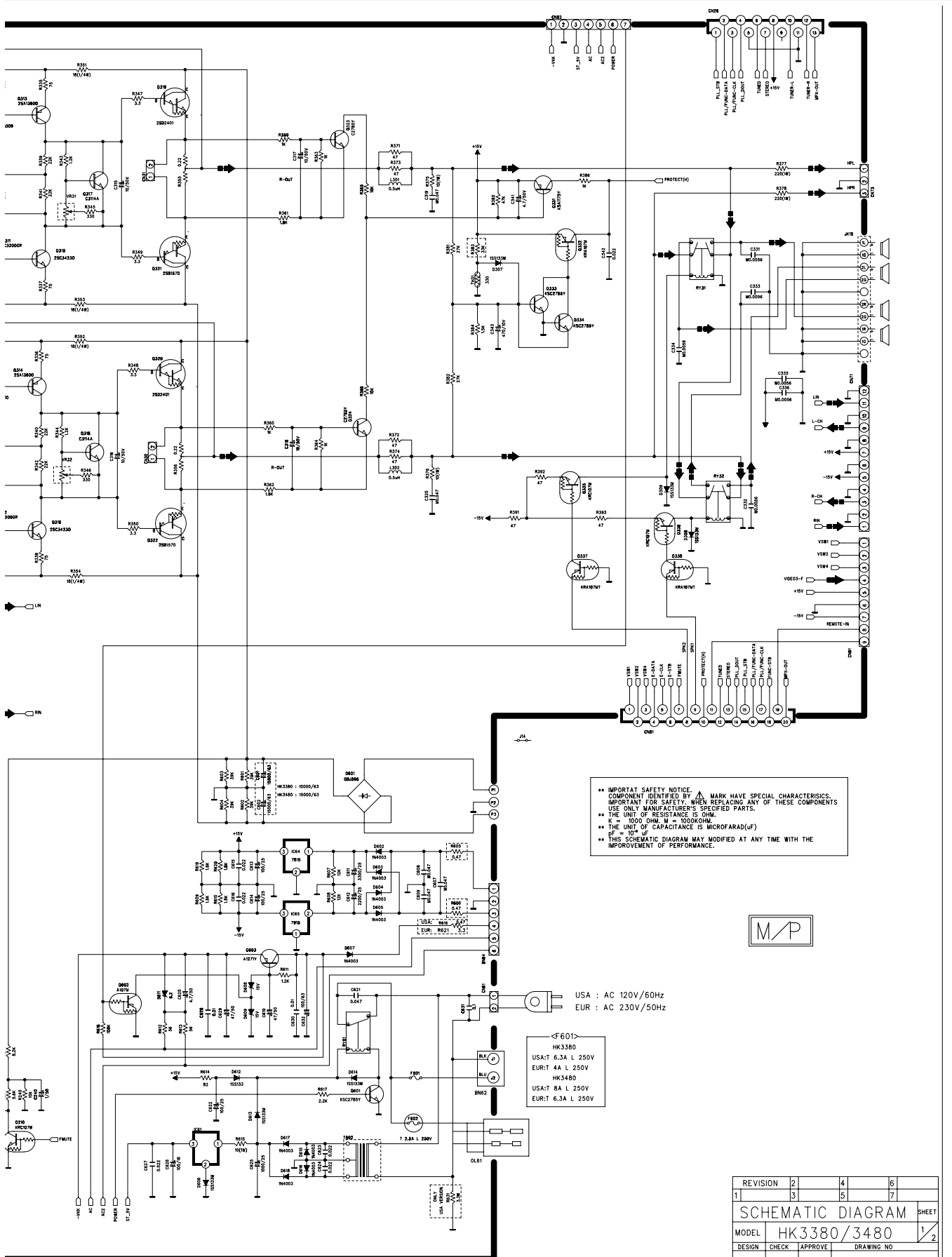
USA : AC 120V/60Hz
 EUR : AC 230V/50Hz

601
 HK3380
 USA:T 6.3A L 250V
 EUR:T 4A L 250V
 HK3480
 USA:T 8A L 250V
 EUR:T 6.3A L 250V



REVISION	2	4	6
1	3	5	7
SCHEMATIC DIAGRAM SHEET			
MODEL	CHK	3480	1/2
DESIGN	CHEK	APPROVE	DRAWING NO
C.D.C.K.D.G.L.H.W			1654-SCMZ
03.07.20			





** IMPORTANT SAFETY NOTICE: COMPONENT IDENTIFIED BY MARK HAVE SPECIAL CHARACTERISTICS. IMPORTANT FOR SAFETY: WHEN REPLACING ANY OF THESE COMPONENTS USE ONLY MANUFACTURER'S SPECIFIED PARTS.

- THE UNIT OF RESISTANCE IS OHM.
- K = 1000 OHM, M = 100000 OHM.
- THE UNIT OF CAPACITANCE IS MICROFARAD (uF)
- uF = 10⁻⁶ F

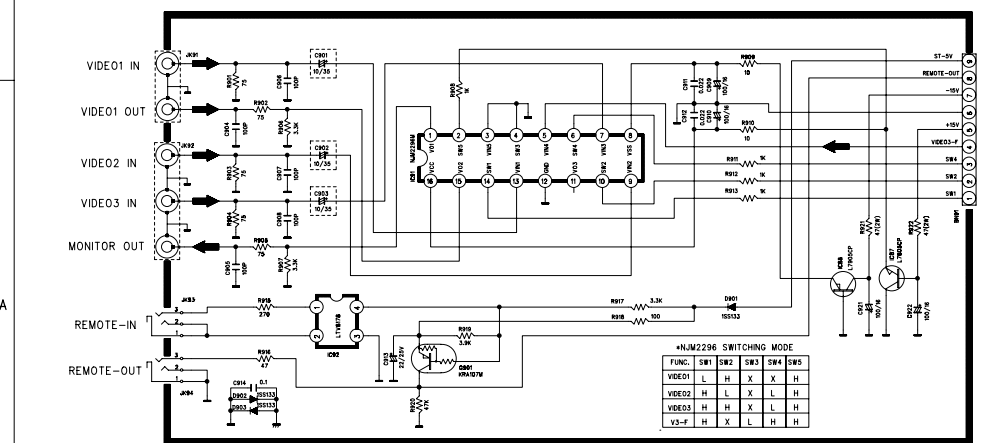
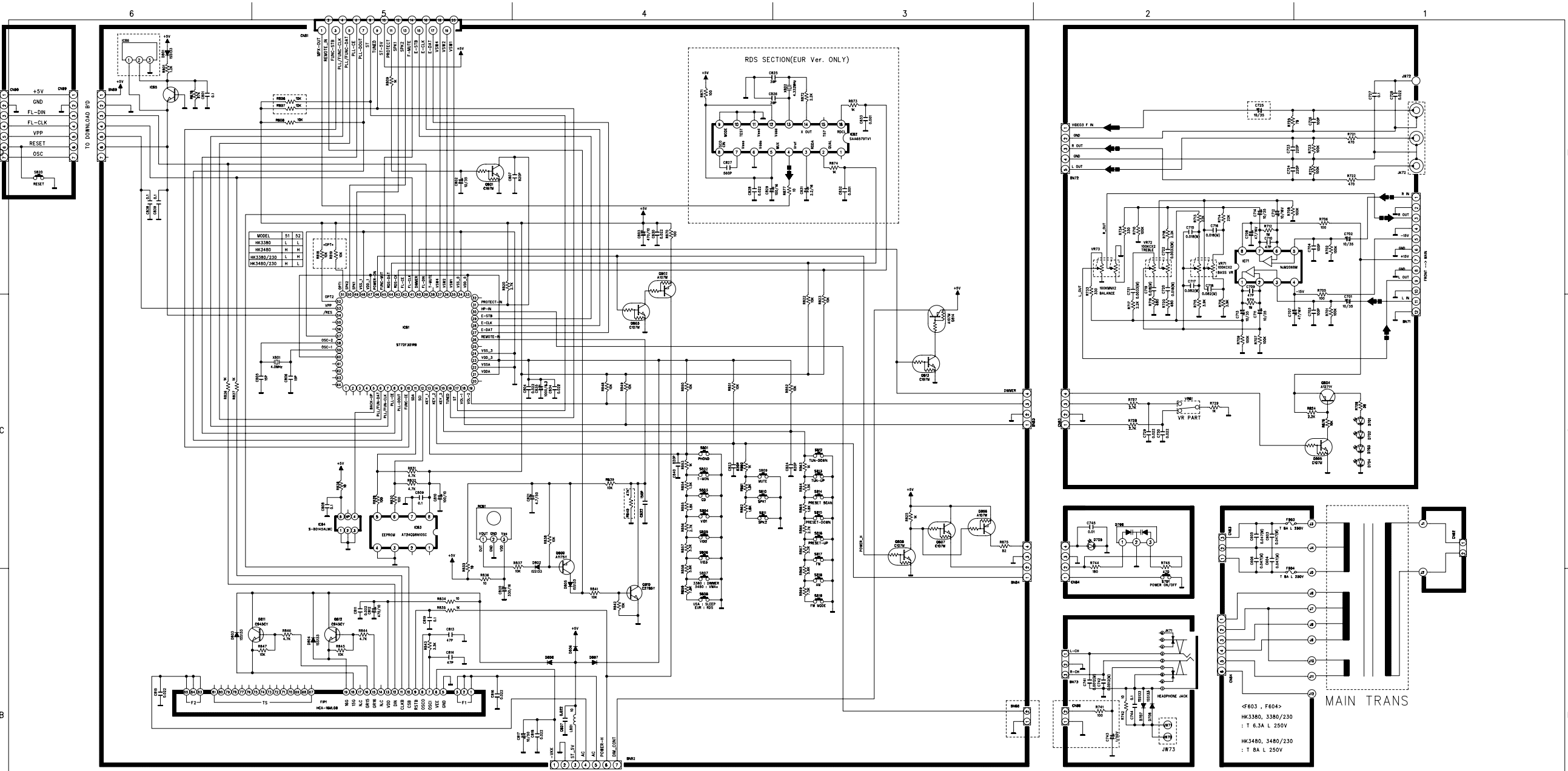
*** THIS SCHEMATIC DIAGRAM MAY MODIFIED AT ANY TIME WITH THE IMPROVEMENT OF PERFORMANCE.



USA : AC 120V/60Hz
 EUR : AC 230V/50Hz

C601
 USA:T 6.3A L 250V
 EUR:T 4A L 250V
 HK3480
 USA:T 8A L 250V
 EUR:T 6.3A L 250V

REVISION	2	4	6
	3	5	7
SCHEMATIC DIAGRAM			
MODEL	HK3380/3480		
DESIGN	CHECK	APPROVE	DRAWING NO
C.D.C.K.D.G.L.H.W			1654SCMZ
03.07.20			



4001
4002
4003
4004
4005
4006
4007
4008
4009
4010
4011
4012
4013
4014
4015
4016
4017
4018
4019
4020
4021
4022
4023
4024
4025
4026
4027
4028
4029
4030
4031
4032
4033
4034
4035
4036
4037
4038
4039
4040
4041
4042
4043
4044
4045
4046
4047
4048
4049
4050
4051
4052
4053
4054
4055
4056
4057
4058
4059
4060
4061
4062
4063
4064
4065
4066
4067
4068
4069
4070
4071
4072
4073
4074
4075
4076
4077
4078
4079
4080
4081
4082
4083
4084
4085
4086
4087
4088
4089
4090
4091
4092
4093
4094
4095
4096
4097
4098
4099
4100

** IMPORTANT SAFETY NOTICE.
COMPONENTS IDENTIFIED BY MARK SPECIAL CHARACTERISTICS.
IMPORTANT FOR SAFETY. WHEN REPLACING ANY OF THESE COMPONENTS
USE ONLY MANUFACTURER'S SPECIFIED PARTS.

** THE UNIT OF RESISTANCE IS OHM.
K=1000 OHM , M=1000 KOHM

** THE UNIT OF CAPACITANCE IS MICROFARAD. (uF)
pF=10 uF

** THIS SCHEMATIC DIAGRAM MAY MODIFIED AT ANY TIME WITH THE
IMPROVEMENT OF PERFORMANCE.

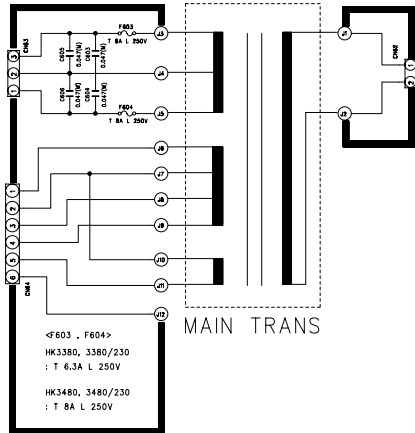
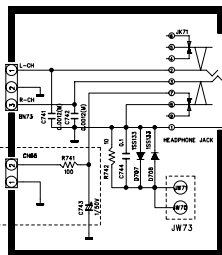
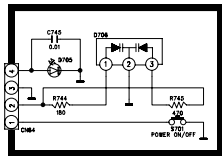
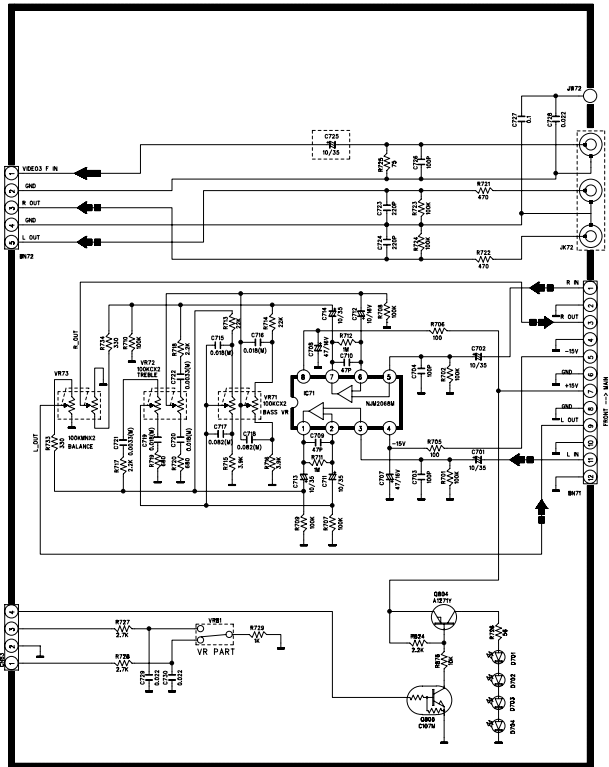
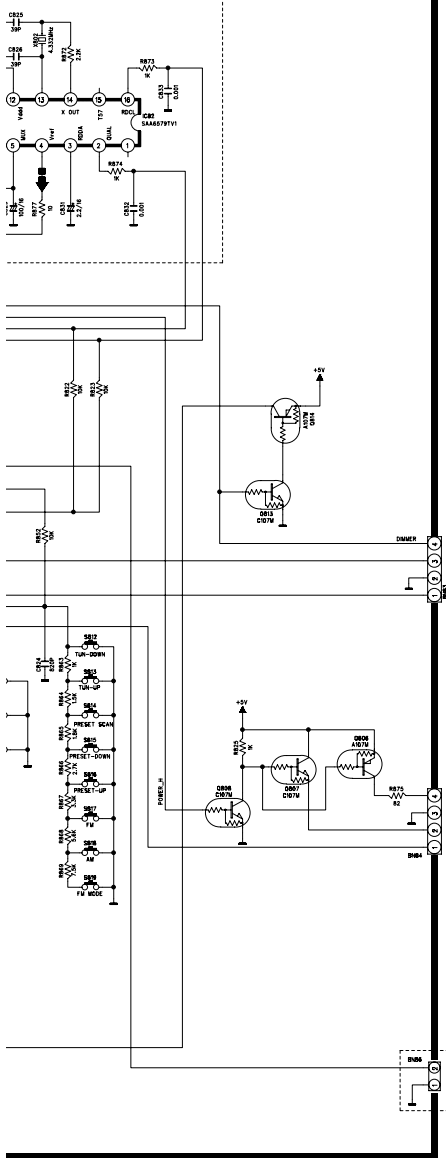
HK3480

M/P

harman/kardon

REVISION	2	4	6	
1	3	5	7	
SCHEMATIC DIAGRAM				SHEET
MODEL	HK3380/3480			1/2
DESIGN	CHECK	APPROVE	DRAWING NO	
C.D.C	K.D.G	L.H.W	1653SCMZ	
03.07.18			(FRONT)	

SECTION(EUR Ver. ONLY)



<F603, F604>
 HK3380, 3380/230
 : T 6.3A L 250V
 HK3480, 3480/230
 : T 8A L 250V



IMPORTANT SAFETY NOTICE.
 COMPONENTS IDENTIFIED BY MARK SPECIAL CHARACTERISTICS.
 IMPORTANT FOR SAFETY. WHEN REPLACING ANY OF THESE COMPONENTS
 ONLY MANUFACTURER'S SPECIFIED PARTS.
 UNIT OF RESISTANCE IS OHM.
 100 OHM, M=1000 KOHM
 UNIT OF CAPACITANCE IS MICROFARAD. (uF)
 10 uF
 SCHEMATIC DIAGRAM MAY MODIFIED AT ANY TIME WITH THE
 IMPROVEMENT OF PERFORMANCE.

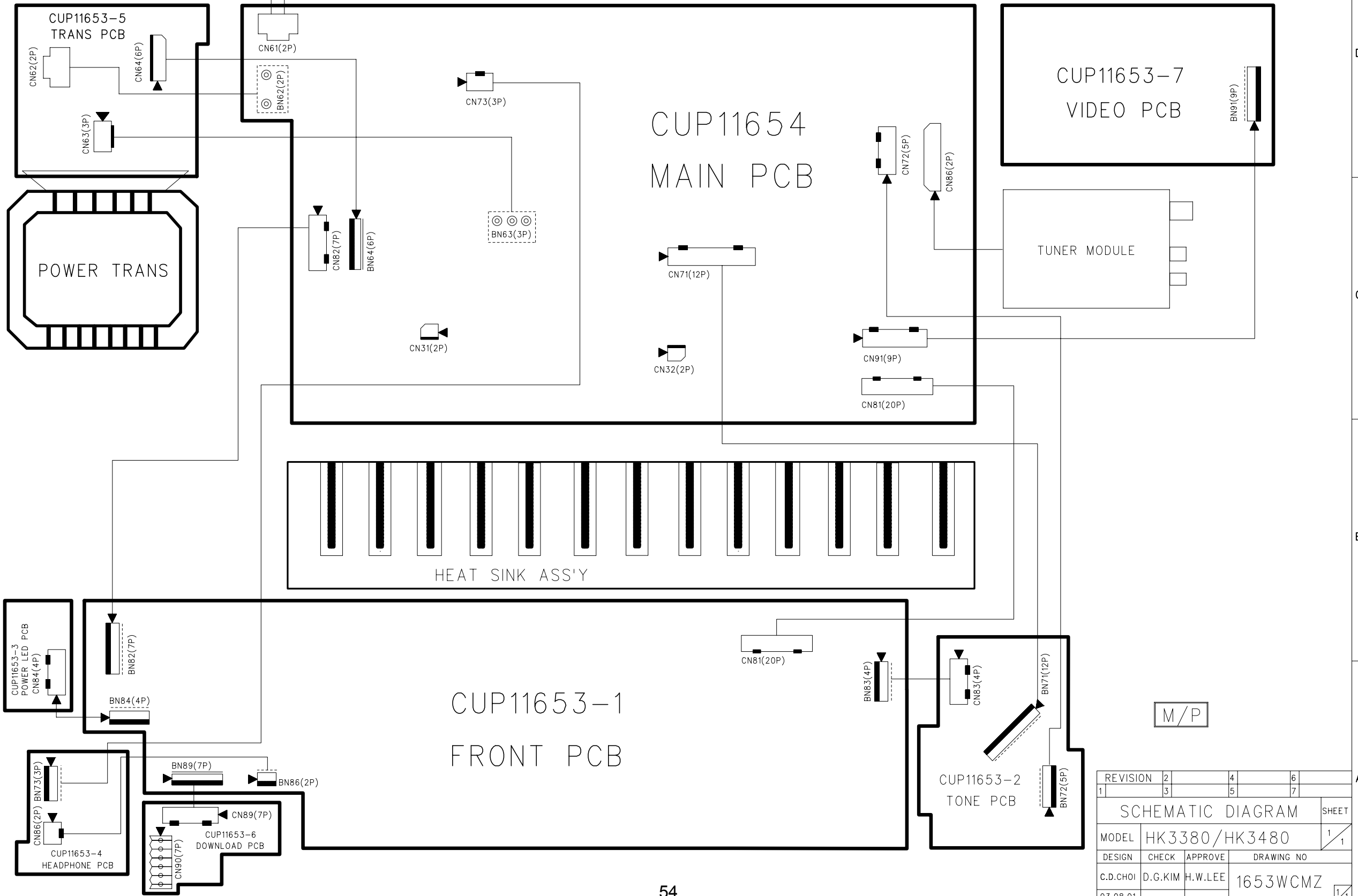
HK3480

harman/kardon

REVISION	2	4	6
1	3	5	7
SCHEMATIC DIAGRAM			SHEET
MODEL	HK3380/3480		1/2
DESIGN	CHECK	APPROVE	DRAWING NO
C.D.C	K.D.G	L.H.W	1653SCMZ
03.07.18			(FRONT)

HK3380/HK3480 WIRING DIAGRAM

120V 60Hz



M/P

REVISION	2	4	6
1	3	5	7
SCHEMATIC DIAGRAM			SHEET
MODEL	HK3380/HK3480		1/1
DESIGN	CHECK	APPROVE	DRAWING NO
C.D.CHOI	D.G.KIM	H.W.LEE	1653WCMZ
03.08.01			1/1